

Differential pressure gauge

Model D201

Max. Static pressure 400 bar

Nominal size 63 (2.5") 100 (4") and 150 mm (6")

ASME B40.100 / EN 837 / IS-3624

Accuracy: 2 % Ascending

Features

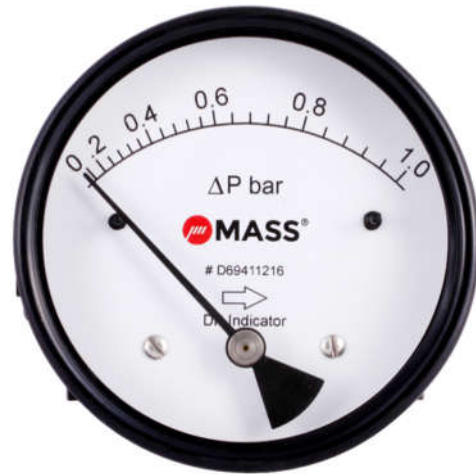
- Stainless steel case and several wetted parts
- Static pressure up to 400 bar (6000 psi)
- Protection IP65
- Smooth pointer motion
- Dry or liquid filled
- Magnetic coupling, solid front not required

Ranges

0 ... 5 psi up to 0 ... 150 psi

0 ... 0.25 bar up to 0 ... 10 bar & kg/cm²

0 ... 25 kPa up to 0 ... 1000 kPa



Applications

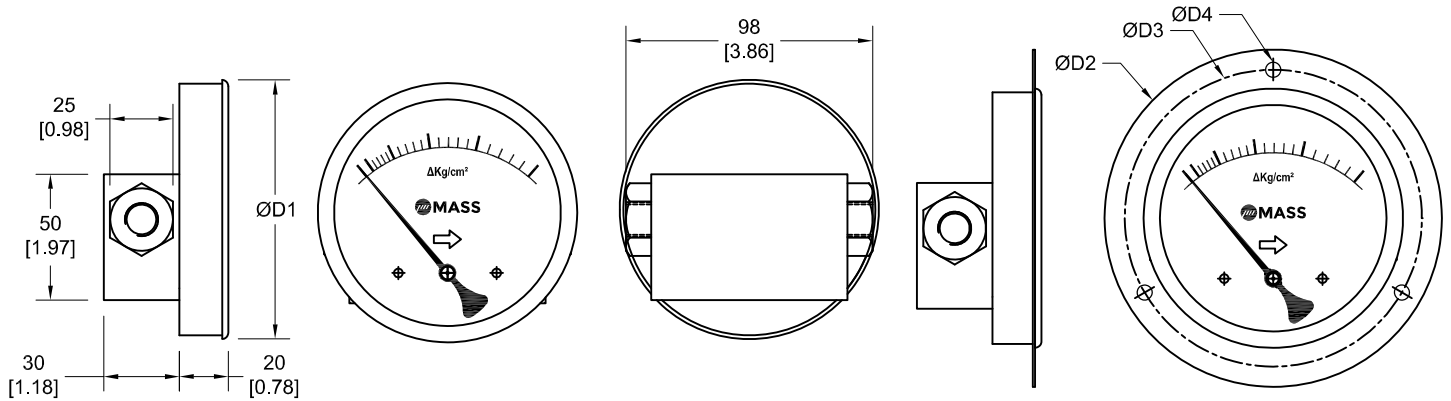
Chemical and petrochemical industry

Machine and apparatus construction

Filters, Hydraulic systems

Water treatment

Technical specification	D201		
	63 (2.5")	100 (4")	150 (6")
Construction	Cylindrical case		
Measuring principle	Magnetic coupling, solid front not required		
Actuator	Piston		
Process fluid migration	Minimal		
Range	0.25 0.5 1 1.6 2 2.5 4 6 10		
kg/cm ² (or bar)	5 10 15 20 25 30 40 50 60 80 100 150		
psi			
Max. static pressure	200, optional 400		
bar	3000, optional 6000		
psi	Maximum static pressure is also maximum pressure allowed on one side		
Overpressure limit			
Pressure type	Differential		
Process connection	1/4" BSP / NPT, others on request		
Connection location	Lower, back, in-line		
Material			
Wetted parts	Body material, spring, screw, magnet		
Body, piston	Aluminum, brass or stainless steel 316		
Magnet	Ceramic		
O-Ring	Buna-N, optional Viton		
Case	SS304		
Window	Acrylic glass		
Dial	Aluminum, black markings on white background		
Pointer	Aluminum, black, optional red set hand or maximum pointer		
Accuracy, ascending only	2 %, 5% for liquid filled		
Permissible			
Ambient temperature	0 ... 80 °C (32 ... 176 °F)		
Medium temperature	Max. 80 °C (Max 176 °F)		
Storage temperature	0 ... 60 °C (32 ... 140 °F)		
Effect	Max. 0,3 % / 10 K		
Protection according	IP65		
Filling liquids	Glycerin, Silicon on request		
Mounting	Direct, optional panel or 2" pipe mounting (only for inline connections), others on request		
Accessories, options	3 or 5 way remote mounted manifolds, valves		

General dimensions in mm [inch]


DIAL SIZE	ØD1	ØD2	ØD3	ØD4
Ø63 [2.5]	65 [2.56]	85 [3.35]	75 [2.95]	3.6 [0.14]
Ø100 [4]	101 [3.98]	134 [5.28]	118 [4.65]	6 [0.24]
Ø150 [6]	151 [5.94]	186 [7.32]	168 [6.61]	6 [0.24]

Order information

Size	Type	Body	Execution	Process connection	Connection orientation	Range	Engineering units	Filling / Case	Options	
(63) 63 mm	D201	(F) Aluminum	(L) IP65 standard case	(02T) 1/4" NPT (F)	(S) In-line	0/ 0,25	kg/cm ² (or bar)	(=) Standard no filling	(NH) Tagging wired	
(100) 100 mm		(A) Brass		(13T) 1/4" BSP (F)		(L) Lower				0/ 0,5
(150) 150 mm		(S) 316		(02) 1/4" NPT (M)		(B) Back				0/ 1
				(13) 1/4" BSP (M)		0/ 1,6		(GR) Glycerin	(CS) Dual scale	
						0/ 2		(GV) Silicon	(DA) Dial marking	
						0/ 2,5			(FX) Front Panel	
						0/ 4			(VD) Viton O-Rings	
						0/ 6			(PN400) Static 400 bar	
						0/ 10			(TM) 2" pipe mounting bracket ¹⁾	
						0/ 5	PSI		(V5) 1 SPDT with DIN plug	
						0/ 10			(EP) Maximum pointer	
						0/ 15				
						0/ 20				
						0/ 25				
						0/ 30				
						0/ 40				
						0/ 50				
						0/ 60	Equivalent ranges in kPa, MPa and others on request			
						0/ 80				
						0/ 100				
						0/ 150				

1) For inline connection orientation only

Order example

Size	Type	Body	Execution	Process connection	Connection orientation	Range	Engineering unit	Filling/case/contacts	Options
100	D201	S	L	02T	S	0/1	KG/CM ²	=	NH